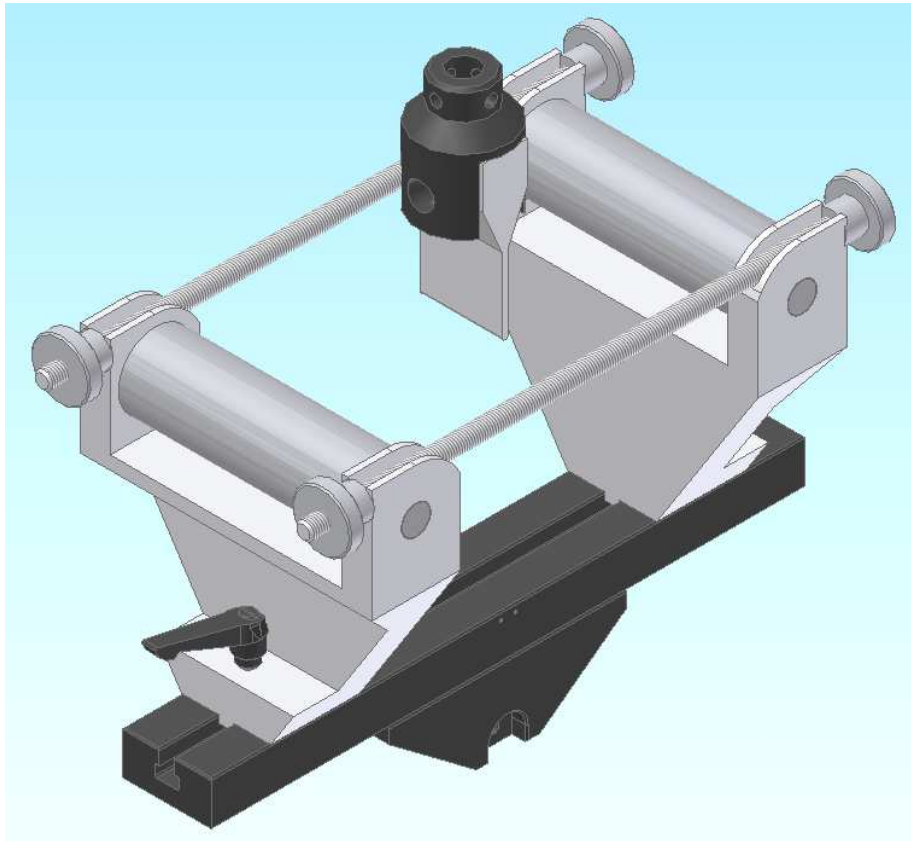


## Flexural Grips

### 3-Point Bend Jig 50kN, Technological Bend Test



<b>Order number</b>	<b>14-097-090</b>
<b>Application</b>	<b>Technological bending test on metal</b>
Maximum Capacity	50kN
Span Adjustment	20mm- 250mm
Span Support Width	55mm
Span Support Diameter	50mm
Bending Stamp Diameter	8, 16, 32, 50 and 100mm
Bearing	Bending stamp flexible, coasting span supports
Eye End Diameter	R36/18
Dimensions	Height 250mm, width 400mm, depth 160mm
Weight Each	20kg
Packaging	1 3-point bend jig 2 coasting span supports with diameter Ø 50mm 1 bending stamp flexible Ø 8, 16, 32, 50 and 100mm